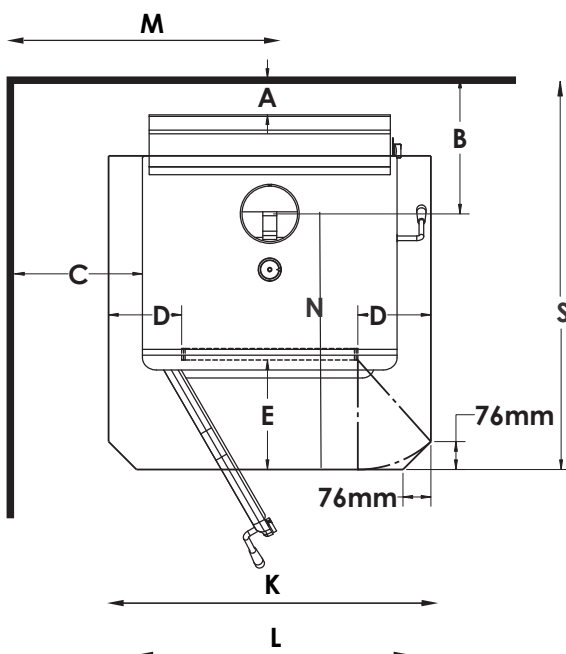


## BLAZE KING WOOD FIRE CLEARANCES TO COMBUSTIBLE MATERIALS

		Sirocco				Chinook	
		SC30P	SC30L	SC20P	SC20L	CK30	CK20
Rear	A	100	100	100	100	100	100
Flue to rear	B	371	371	344	344	372	344
Side	C	350	350	500(#300)	500(#300)	350	350
Floor protector (side)	D	200	200	200	200	200	200
Floor protector (front)	E	300	300	300	300	300	300
Corner to side	F	100	100	100	100	100	100
Flue to side	G	525	525	484	484	508	466
Flue to corner	H	743	743	684	684	718	659
Floor protector side	I	200	200	200	200	200	200
Flue protector front	J	300	300	300	300	300	300
Centre of flue to front of hearth	N	700	700	675	675	700	675
Reduce front corners		76	76	76	76	76	76
Back wall to front of hearth parallel	S	1071	1071	1019	1019	1071	1019
Back corner to front of hearth - corner	T	1443	1443	1359	1359	1418	1334
Minimum hearth width	K	882	882	806	806	882	806
Minimum hearth width with corners off	L	730	730	654	654	730	654
Side wall to flue centre	M	699	699	818(#618)	818(#618)	721	673
Minimum hearth along wall - corner installation	Z	1280	1280	1192	1192	1260	1175
Minimum hearth out from wall - corner installation	Y	763	763	730	730	745	712

*#Side clearance can be reduced to 300mm with the extended flue shield installed.*

### PARALLEL INSTALLATION



### CORNER INSTALLATION

